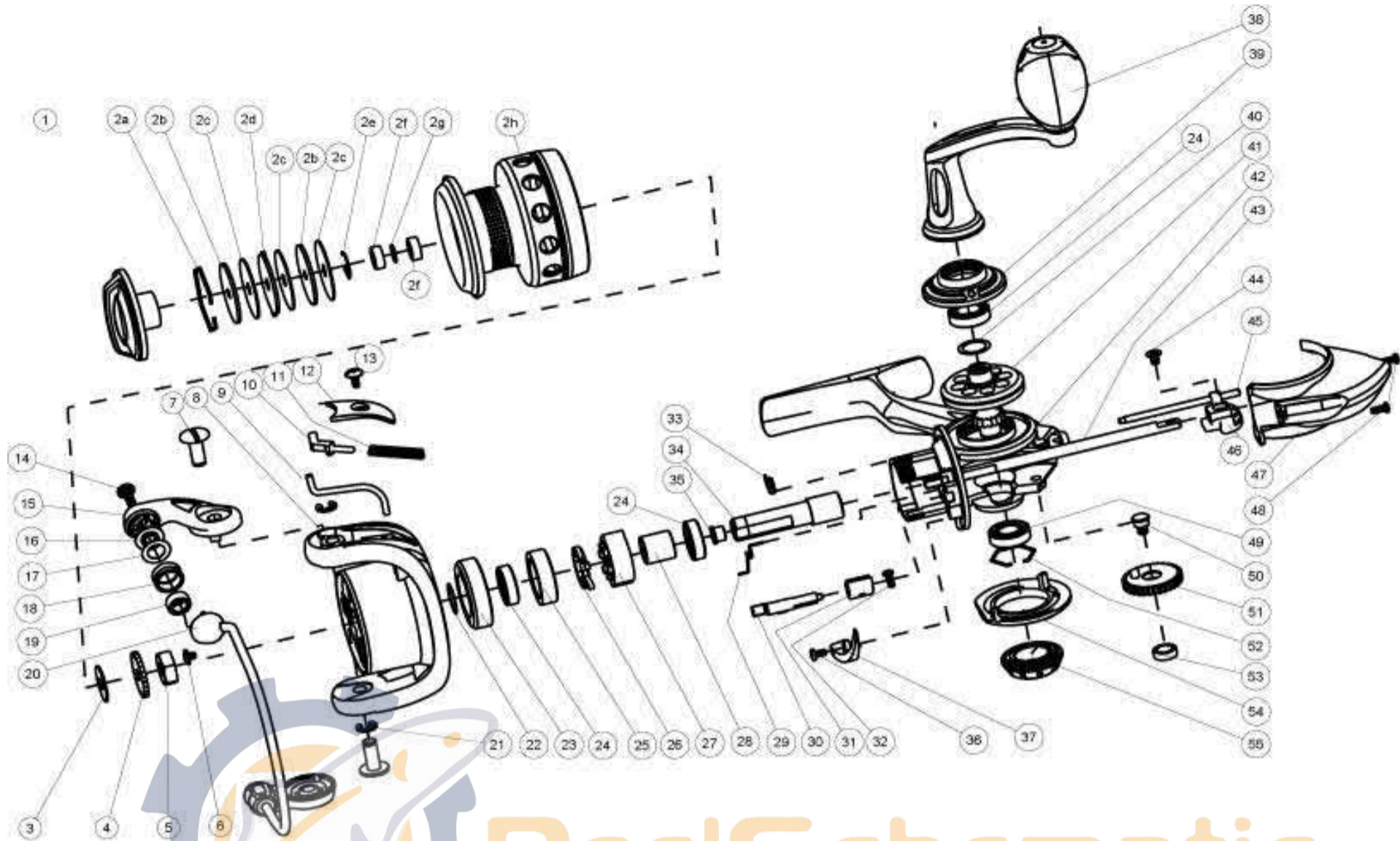


QUANTUM

TH20



Quantum THROTTLE - TH20 Part List

Key No.	Description	Part No. TH20	Qty	Key No.	Description	Part No. TH20	Qty
1	Drag Knob Assembly	TAD332-01	1	25	Clutch Bearing Adapter	TAD190-01	1
2	Spool Assembly	TAD321-01	1	26	One Way Clutch lever	BAA064-02	1
2a	Retainer Ring	BAA038-00	1	27	One Way Clutch	BAA063-01	1
2b	Drag Washer "D"	TAD080-01	2	28	Sleeve	BAA139-01	1
2c	Drag Washer "B"	BAA033-01	2	29	Stopper Cam spring	TAD089-02	1
2d	Drag Washer "A"	TAD081-01	1	30	Stopper Cam	BAA090-01	1
2e	Retainer Ring	BAA119-01	1	31	Stopper Lever	BAA059-01	1
2f	Spool Ball Bearing	GH202A-01	2	32	Stopper Lever Screw	BAA135-01	1
2g	WASHER	BAA076-01	2	33	Clutch spring	BAA216-01	1
2h	Spool	TAD020-02	2	34	Pinion Gear	TAD011-01	1
3	Spool Adjust Washer	TAD030-01	2	35	Pinion Bushing	TAD213-01	1
4	Clicker Gear	TAD037-01	1	36	Trip Ramp Screw	UAA123-01	1
5	Rotor Nut	TAD006-01	1	37	Trip Ramp	TAD119-01	1
6	Rotor Nut Lock Screw	BAA094-01	1	38	Handle Assembly	TAD318-01	1
7	Arm Lever Screw	TAD042-01	2	39	Body Side Ring	TAD142-01	1
8	Rotor	TAD009-01	1	40	Drive Gear Adjust Washer	BAA105-02	2
9	Kick Lever	TAD019-01	1	40a	Drive Gear Adjust Wave Washer	TAD105-01	1
10	Bail Actuator	BAA031-01	1	41	Drive Gear Assembly	BAD312-01	2
11	Bail Spring	TAD022-01	1	42	Body Assembly	TAD301-01	1
12	Arm Lever Cover	TAD087-01	1	43	Main Shaft	TAD015-00	1
13	Arm Lever Cover Screw	TAD077-01	1	44	Main Shaft Screw	BAA100-01	1
14	Line Roller Screw	BAA108-01	1	45	O/S Guide Pin	TAD093-00	1
15	Arm Lever	TAD007-01	1	46	O/S Slider	TAD025-01	1
16	Line Roller Collar	CAA102-01	1	47	Body Rear Cap	TAD140-01	1
17	Line Roller Washer	BAA102-01	1	48	Rear Cap Screw "A" - M2 x 5mm	BAA135-01	2
18	Line Roller	BAA004-01	1	49	Body Ball Bearing dia7xdia14x4	TAD157-02	1
19	Line Roller Ball Bearing	GH202-01	1	50	O/S Gear Pin	TAD062-01	1
20	Bailwire Assembly	TAD347-01	1	51	O/S Gear	TAD053-01	1
21	"E" clip	QW120A-01	2	52	Retainer Ring	TAD038-01	1
22	Rotor Adjust Washer	BAA105-03	2	53	O/S Gear Bearing	CT157-02	1
23	Clutch Bearing Cap	TAD040-01	1	54	Body Trim Ring	TAD145-01	1
24	Pinion Ball Bearing	CAA157-02	3	55	Handle Cap	TAD054-01	1